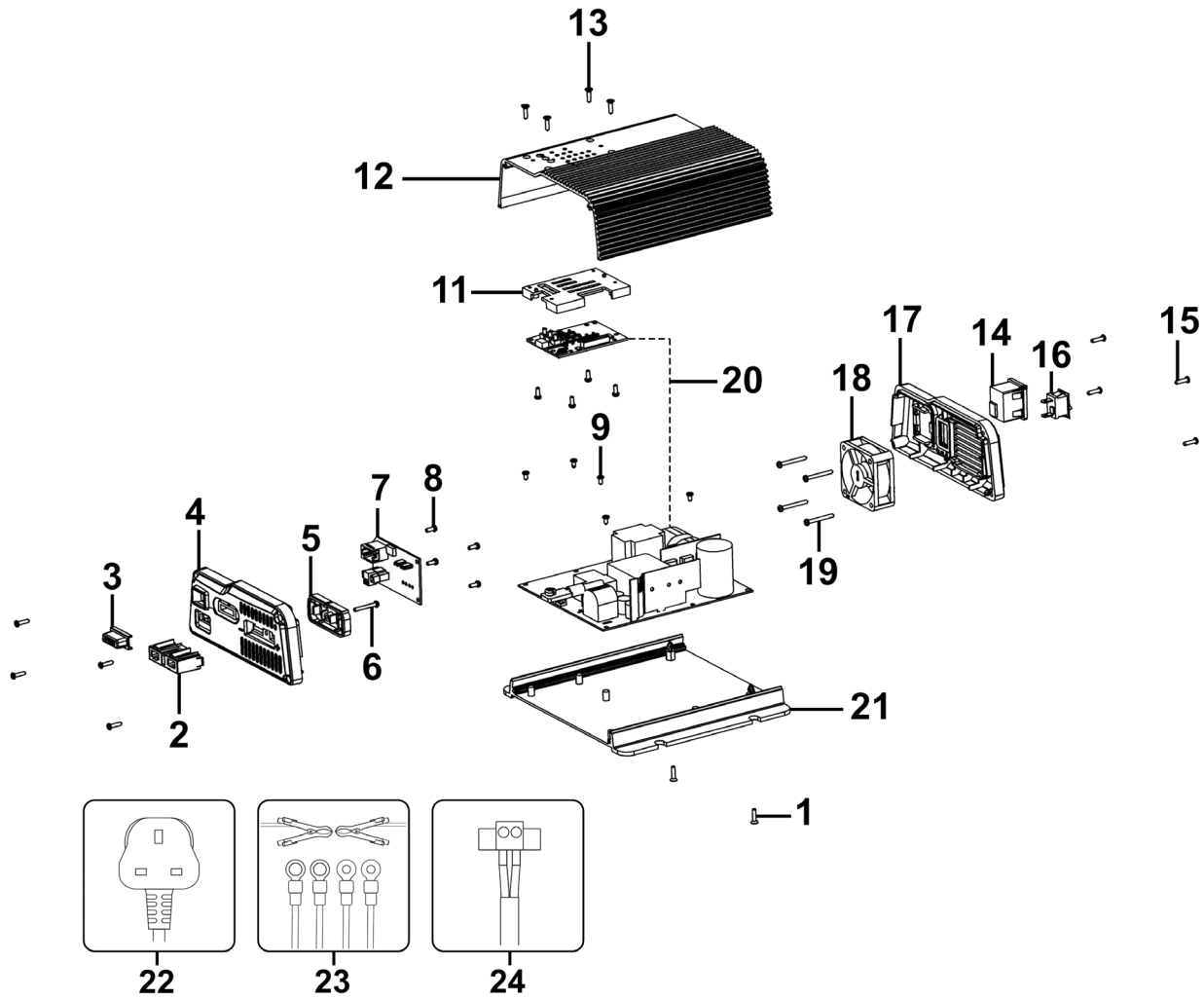




Parts Information:
**12V Battery Support Unit & Smart Charger/
 Maintainer 25A**
Model No: BSCU25A



Item	Part No.	Description
1	BSCU25A-01	Galvanised Flat-Head Screw M3x8
2	BSCU25A-02	Block for Output Terminals
3	BSCU25A-03	Block for Fuse (Fuse Included)
4	BSCU25A-04	Back Panel
5	BSCU25A-05	Internal Cap for Output Terminals
6	BSCU40A-06	Self-Tapping Screw ST3x20
7	BSCU25A-06	Internal Board for Output Surface
8	BSCU40A-08	Self-Tapping Screw ST3x6
9	BSCU40A-09	Screw M3x8
10	BSCU25A-10	LED PCB
11	BSCU25A-11	LED PCB Cover
12	BSCU25A-12	Top Cover
13	BSCU40A-10	Flat-Head Self-Tapping Screw ST3x8

Item	Part No.	Description
14	BSCU25A-14	AC Input Socket
15	BSCU40A-14	Self-Tapping Screw ST3x12
16	BSCU25A-16	On/Off Switch
17	BSCU25A-17	Front Panel
18	BSCU25A-18	Cooling Fan
19	BSCU40A-19	Galvanised Self-Tapping Screw ST3x25
20	BSCU25A-20	PCB
21	BSCU25A-21	Bottom Panel
22	BSCU25A-22	Plug
23	BSCU25A-23	Output Clamp & Eyelet Cables with EC5 Connection
24	BSCU25A-24	Temperature Sensor Cable

NOTE: It is our policy to continually improve products and as such we reserve the right to alter data, specifications and component parts without prior notice. There may be alternative versions of this product, please contact us should you require this information.

IMPORTANT: No liability is accepted for incorrect use of product. Spare parts must be fitted by a competent person

WARRANTY: Guarantee is 12 months from purchase date, proof of which will be required for any claim.

Sealey Group, Kempson Way, Suffolk Business Park, Bury St Edmunds, Suffolk. IP32 7AR



01284 757500



sales@sealey.co.uk



www.sealey.co.uk